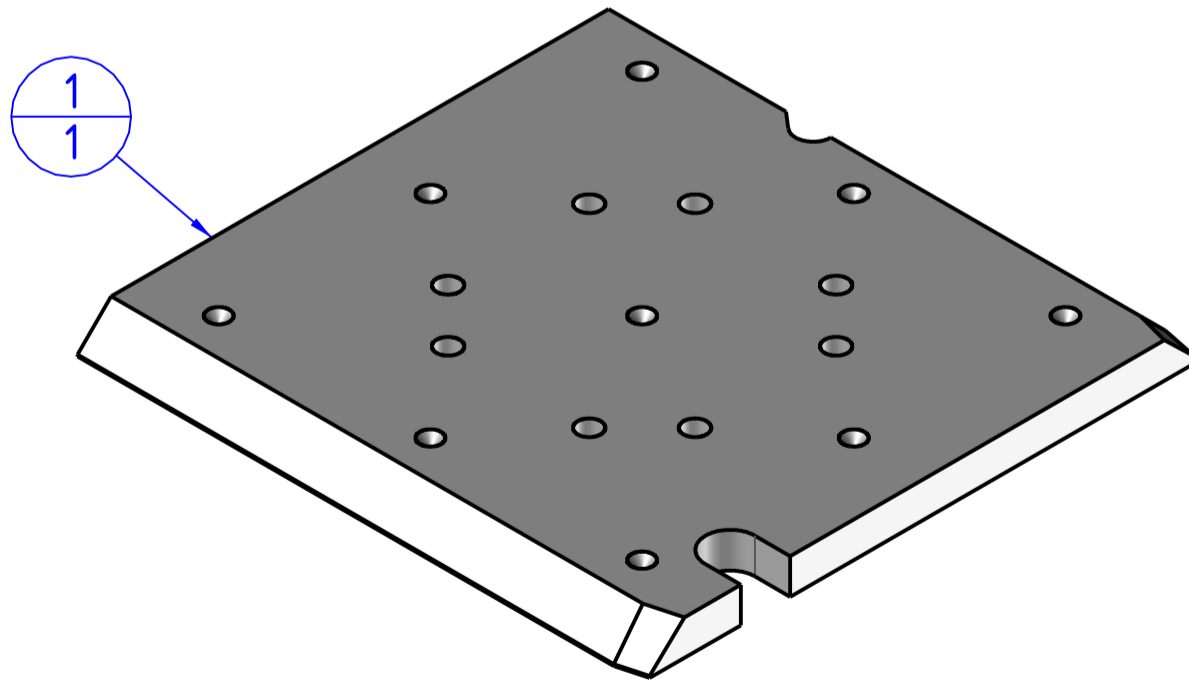
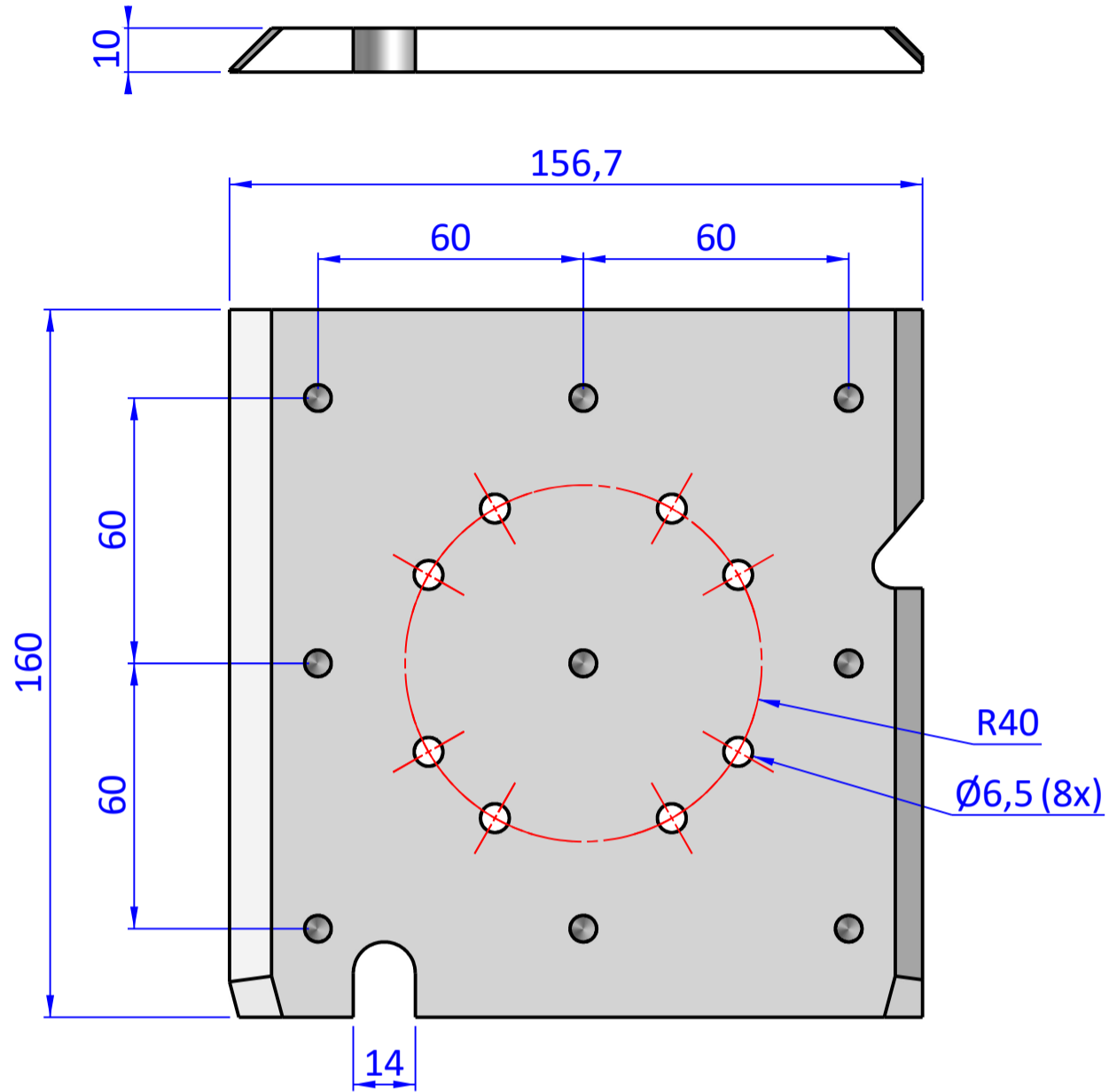

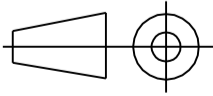


Item	Name	Q.ty
1	GPM2.ENGEL	1



THE PROPERTY OF THE DRAWING IS ESTABLISHED BY LAW. IT IS FORBIDDEN TO PRODUCE OR SHOW IT TO THIRD PART. WITHOUT A WRITTEN AGREEMENT.

Format A4 UNI 936-76	 FPS SERVICES AUTOMATION		DESIGNED FROM FPS Automation	REVIEW A
			DATE 27/07/2022	WEIGHT 0,634kg
GENERAL TOLERANCE UNI - ISO 2768 CLASSE f	DESCRIPTION CA.GPM2.ENGEL		CODE CA.GPM2.ENGEL	